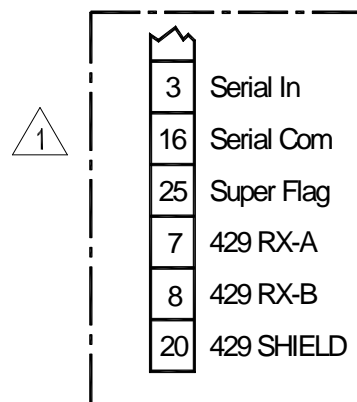
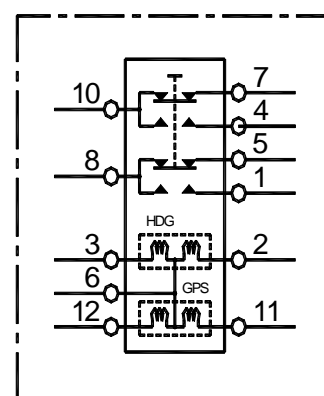


SWITCH/ANNUN P10280 SCHEMATIC



- 1 FOR GPS INPUT SEE APPENDIX C - GPS RECEIVER INTERCONNECT
- 2 ARINC 429 INPUT AVAILABLE ON PINS 7 & 8 ON PN 1049-4000-03 WITH SOFTWARE -001B OR LATER
- 3 ARINC 429 OUTPUT AVAILABLE ON PINS 7 & 8 ON PN 1049-4000-01 WITH SOFTWARE -001A
- 4 DASHED LINES BETWEEN HSI AND AUTOPILOT REPRESENT EXISTING WIRING - DO NOT REMOVE

S-TEC 30 (DC) with NSD 360A / NSD 1000

NOTE: THIS AUTOPILOT IS NOT STC'D – THIS DRAWING IS FOR REFERENCE ONLY!