

Optional 429 Valid Interrupt

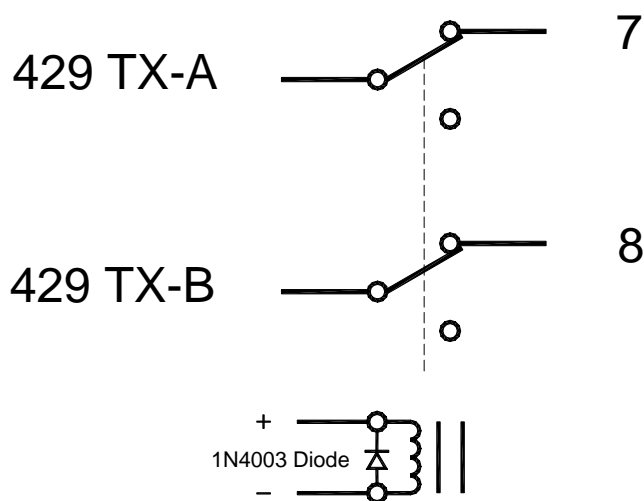
RELAY

M39016/6-107P

700 Ohm, 26.5 VDC, 2 Amp

ARINC 429

GDC31



NOTE: Use this relay to interrupt valid when autopilot is switched from Heading Mode